

OCTO™ Port V2

	Model Type	Wound Size	5mm	5-12mm	Total
	OT303V2	15-30mm	1	2	3
	OT503V2	35-50mm			
	OT304V2-A	15-30mm	2	2	4
	OT504V2-A	35-50mm			
	OT304V2-B	15-30mm	2	2	4
	OT504V2-B	35-50mm			
	OT504V2L-A	35-50mm	2	2	4
	OT504V2L-B	35-50mm	2	2	4
	OT503V2L	35-50mm	1	2	3
	OT303V2N	15-30mm			
	OT503V2N	35-50mm	2	1	3
	OT503V2LN	35-50mm			

OCTO™ Port S2

	Model Type	Wound Size	5mm	5-12mm	Total
	OT301S2	15-30mm			
	OT501S2	35-50mm	-	1	1
	OT501S2L	35-50mm			



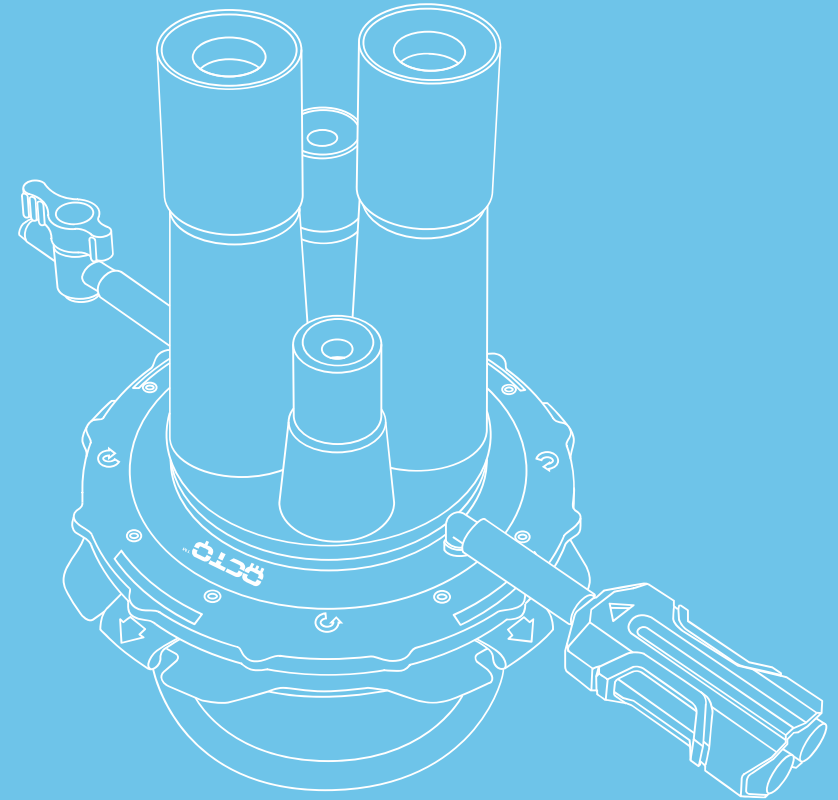
DalimsurgNET
a member of the
Frankenman Group

B-1401 Woolim Blue Nine, 583, Yangcheon-ro,
Gangseo-gu, Seoul, Korea (ZIP 157-779)
T. +82 2 2093 7888 F. +82 2 2093 7889
www.dalimsurg.net www.octo-port.com
Copyright Dalimsurg.NET All Rights Reserved.



Access Transformer

OCTO™ PORT



DalimsurgNET
a member of the
Frankenman Group

All new OCTO™ Port V2

Brand Identity



The name OCTO Port originates from Octopus. OCTO port has many similarities to the Octopus in terms of its appearance and unique features. OCTO port allows the user to multi-task using its flexible multiple tentacles, responding to diverse situations in surgery.

Universal Port with Star Sealing System

Developed by DalimSurgeNET, the Star Sealing System is a unique universal sealing system shaped like a star with several layered leaves to hold instruments firmly and softly. It also allows active movement for different sizes (5-12mm) of instruments.

D-Filter system

OCTO port comes with two smoke filtering systems that filter out hazardous surgical smoke, while providing a clear vision during surgery.



Genius

OCTOport is smart. It responds cleverly to various changeable conditions in surgery.



Multi-tasking

Several different functions of OCTO Port work well together. The four ports function simultaneously with a wound retractor that allows the user to remove big specimens without making larger incisions.



Flexibility

OCTO Port's flexible material allows for active movement of several instruments at the same time during triangulation.



Transform

OCTO Port adapts to diverse conditions and a star sealing system that allows unrestricted use for different sized instruments (5-12mm).



Ambidextrous

OCTO Port safely sits on the abdominal wall, allowing surgeons to move around freely without having to manually adjust it.



Unique Function

OCTO Port has distinctive features, shapes and functions, which are unique to the market.



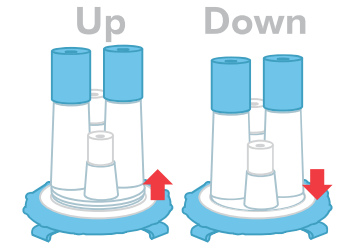
1 Star Sealing System



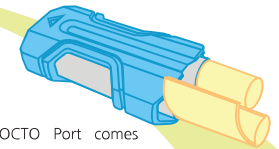
Developed by DalimSurgeNET, the Star Sealing System is a unique universal sealing system shaped like a star with several layered leaves to hold instruments firmly and softly. It also allows active movement for different sizes (5-12mm) of instruments.

2 Flexible tube type of body & long silicon channel

OCTO Port's flexible material allows for active movement of several instruments at the same time during triangulation.

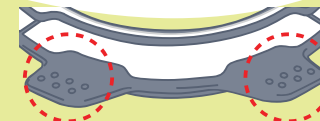


3 D-Filter System



OCTO Port comes with two smoke filtering systems that filter out hazardous surgical smoke, while providing clear vision during surgery.

4 Design for non-slip



This two-color toned non-slip design provides better grip and visual identity for the user.

5 Retractor peg



The retractor peg prevents potential damage to the silicon by immoderate handling, providing easier installation and separation from the retractor's silicon.

